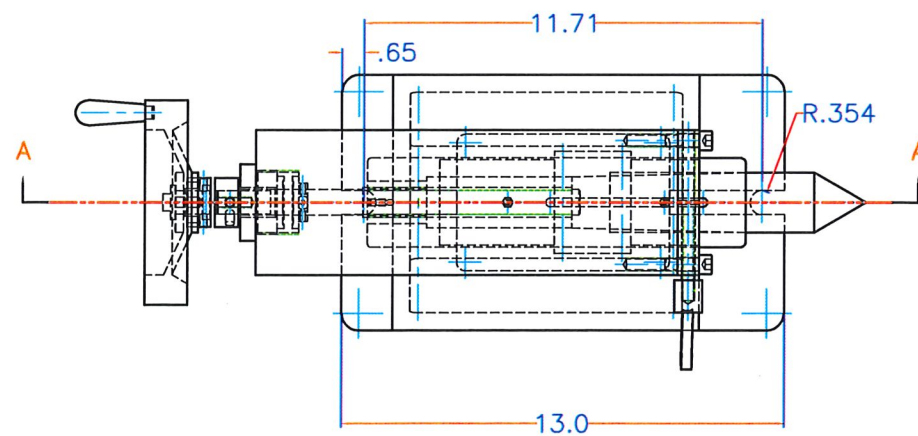


SECTION A-A



TS-16.5				
ITEM	QTY	NAME	MATERIAL	NOTE
1	1	PSC-6003 Feed screw	STRESSPROOF	
2	1	SHL-6TA03K HANDLE		
3	1	SCN-5MT DEAD CENTER		
4	1	PHL-542A Handwheel		
5	1	HEXAGON SOCKET SET SCREW - FLAT POINT - ANSI B18.3 - NO. 10 - 24 X 0.58		
6	1	PNT-540_A Nut		
7	2	3/8-16 X 1/5 CAP SCREW		
8	1	PCL-6130_2 CLAMP		
9	1	SHL-6037K25		
10	1	SCN-#5MT		
11	1	BRONZE BUSHING		
12	1	STW-T058A Washer		
13	1	PBU-1987-1 BUSHING		
14	1	SBC-W $\frac{3}{4}$ Bearing		
15	1	PSC-543A Nut		
16	1	AQL-3248-1 QUILL		
17	1	PTS-6149 BASE		
18	2	SOL-00550 Fitting		
19	1	SBU-CB122014 BRONZE NUT MUST BE INSTALLED AT TROYKE		
20	1	3/8-16 THREADED ROD		
21	1	PHU-541A		
22	1	PBU-1987 Bushing		
23	1	PCO-1993		
24	1	1/8 PIN		

Part Level	Lot No.	REVISIONS	Part Name	ASSEMBLY
Lot		No. Date By	Used	TS-16.5
Lot			On	
TOLERANCES				
Des. 2PL +/- .005				
Des. 3PL +/- .001				
Fin. +/- 1/64				
		Scale 1=2	ENF	022106
				6961

Troyke Mfg. Co. CINCINNATI, OHIO 45241